

PERFORMANCE ANALYSIS OF 4 -BIT CARRY LOOK AHEAD ADDER USING GATE DIFFUSION INPUT

G.Suresh¹, M. Sasi kumar², N. Charan², M.Surya karthikeya², N. Jaya prakash², P.Sampath²

1 Assistant Professor, Dept. of ECE, Geethanjali Institute of Science and Technology, Andhra Pradesh.

2 UG Students, Dept. of ECE, Geethanjali Institute of Science and Technology, Andhra Pradesh.

Abstract

Day-by-day, the users of electronic devices such as computers, laptops, mobile phones, and tablets have been increasing gradually. Almost all people are using electronic devices or electronic gadgets every single day. So to satisfy the people's need, we the engineers or the designers or the developers have to deal with the parameters, such as power consumption, area, energy required, and speed of the devices. There are so many design styles of adders available, such as Ripple carry adder, carry select adder, carry skip adder, Carry look-ahead adder, Carry increment adder, Carry save adder, and Carry bypass adder. The Ripple carry adder is the compact design among all available adders but the computation speed is too low. The Carry look ahead adders and Carry select adders are so fast as compared to Ripple carry adder. To design a high-speed low-power consumed with less area ICs, the designers have to focus on delay time, power consumption, and area occupied by the ICs. Different logic styles have been deliberately used to reduce the power consumption and increase the speed of the performance. Some of them are static CMOS logic, dynamic CMOS logic, dual rail domino logic, pseudo NMOS logic, pass transistor logic (PTL). Among these logic styles GDI technique is the most powerful technique used to reduce the power consumption, propagation delay and area of digital circuits, but the main disadvantage of PTL technique is that it will degrade the output. So, to overcome the problem faced with PTL technique, gate diffusion input (GDI) has been purposively used to design all the logic gates which are required to design a Carry look-ahead adder to achieve the parameters, like low power consumption, reduced delay time, energy efficient, and less transistor counts.

Keywords: Adders, Carry Look Ahead Adder, PTL, CMOS, GDI, Tanner EDA

1. Introduction

As the scale of integration keeps growing, more and more sophisticated signal processing systems are being implemented on a VLSI chip. These signal processing applications not only demand great computation capacity but also consume considerable amount of energy. While performance and Area remain to be the two major design tolls, power consumption has become a critical concern in today's VLSI system design[]. The need for low-power VLSI system arises from two main forces. First, with the steady growth of operating frequency and processing capacity per chip, large currents have to be delivered and the heat due to large power consumption must be removed by proper cooling techniques. Second, battery life in portable electronic devices is limited. Low power design directly leads to prolonged operation time in these portable devices. Addition usually impacts widely the overall performance of digital systems and a crucial arithmetic function. In electronic applications adders are most widely used. Applications where these are used are multipliers, DSP to execute various algorithms like FFT, FIR and IIR. Wherever concept of multiplication comes adders come in to the picture. As we know millions of instructions per second are performed in microprocessors. So, speed of operation is the most important constraint to be considered while designing multipliers. Due to device portability miniaturization of device should be high and power consumption should be low. Devices like Mobile, Laptops etc. require more battery backup. So, a VLSI designer has to optimize

these three parameters in a design. These constraints are very difficult to achieve so depending on demand or application some compromise between constraints has to be made. Ripple carry adders exhibits the most compact design but the slowest in speed. Whereas carry look ahead is the fastest one but consumes more area. Carry select adders act as a compromise between the two adders. In 2002, a new concept of hybrid adders is presented to speed up addition process by Wang et al. that gives hybrid carry look-ahead/carry select adders design. In 2008, low power multipliers based on new hybrid full adders is presented.

2. Literature survey

Khan, Burhan, and Suraj Pattanaik (2020) [1] proposed that pass transistor logic is a better way to implement circuits for high-speed and low-power applications in less number of transistors. Parameters like delay, power consumption, and energy are reduced so much as compared to available logic styles such as static CMOS logic, DOMINO logic, and sub-threshold regime logic. Hasan, Mehedi (2021) [2] proposed to inspect performance in wide word length adder structure, the 4-bit CLA architectures (proposed and existing) are extended to 16-bits using Carry-Select Adder (CSA) architecture. Both as 4-bit cell and extended 16-bit structure, the proposed 4-bit CLA shows remarkable improvement in speed while maintaining quite acceptable level of power consumption. As a result, the proposed 4-bit CLA can be utilized as a highly suitable substitution of the existing 4-bit CLA architectures in high-speed microprocessor design. Dipto, Md Ashik Zafar, et al.(2020) [3]. This paper developed on reducing power, delay and transistor count in Conventional Static CMOS based 4-bit Carry Look Ahead adder. The conventional static CMOS XOR and gates are replaced by Gate Diffusion Input technique and Pass Transistor logic based XOR and AND gates in the input side to enhance performance parameters and to reduce transistor count. Two new modified CLA adder have been proposed and their performance parameters have been compared with conventional circuit using Tanner simulation tools. The proposed designs showed significant performance improvement while keeping the advantages of static CMOS Logic. El-Bendary, Mohsen AM, and Ayman Haggag(2021) [4] This work proposed several logic circuits for Different metrics are utilized for evaluating the performance of the implemented CLA circuits. The simulation experiments results prove the superiority of the proposed FA implementation which consists of 23 transistors only compared to the previously CLAs circuits design by the various design style. The implementation of the presented CLA design achieves reducing the consumed power, optimizing the processing time, and area of the implemented CLA circuits. Hossain, Muhammad Saddam, and Farhadur Arifin(2020) [5] This paper provided method towards the improved performance parameters of conventional CMOS based 4-bit carry look-ahead adder. Conventional CLA adder has high numbers of transistors and high input impedance due to which various performance aspects are affected. Due to high input impedance, its delay and power consumption are high. Therefore, to increase the performance and to reduce delay, we have proposed an advanced version of CLA adder where hybrid logic based XOR gate and GDI AND gates have been used as input to reduce the transistor count as well as to improve performance. Finally, performance of modified adder has been compared with the conventional CLA adder..Bhatt, Uttara, et al(2019) [6]. This paper proposed an eight-bit carry select adder utilizing four bit carry look ahead adders as the individual stages. Further, the carry look ahead adders have been implemented using three MOS circuit design styles, Static, Dynamic (MODL) and Pass Transistor logic. Putra, Adiwena, and Trio Adiono(2021) [7] This paper provided a full custom design of a 4-bit ANN processing element, implemented using 120 nm technology. The processing element consists of register, adder, and multiplier. The register is implemented using push-pull D flip-flop architecture. Jhamb, Mansi(2021)[8] present a Carry select adder using multiplier and adder circuits. In proposed designs, extra circuitry is eliminated and leads to a reduction in 43.995% of power consumption, 93.912% of time delay, and 97.515% of energy. The transistor count of the proposed

carry select adder is 61.788% less than that of the conventional carry select adder. The power, delay, energy of it has been compared with state-of-art carry select adder. This advanced circuit of adder shows highly efficient and reliable performance Ahmed, Rekib Uddin, and Prabir Saha.(2021) [9]. This paper provided an implementation aspect of popular multi-bit adders (e.g. ripple carry adder (RCA) and carry look ahead adder (CLA)) through UTBSOI transistors. Performance parameters comparison in terms of power consumption, delay, power-delay product (PDP), and energy-delay product (EDP) have been analysed for the application of the intelligent systems. Chauhan, Anurag, et al.(2021) [10]. In this paper, they presented a four bit arithmetic logic unit which is energy efficient and temperature invariant implemented using the dual mode pass transistor logic. The basic logic gates such as NOR and NAND are designed using both CMOS logic and dual mode pass. Bhuyan, Muhibul Haque, Md Mahfuz Ahmed, and Shafiul Alam Robin.(2021) [11] proposed design and simulation of a 4-bit CMOS based full adder circuit at various technology nodes using Microwind and DSch are presented. After that performances are compared to see how the reduction of transistor size can help to achieve those benefits. The designed circuit is used for the addition of 4-bit binary numbers. To design a 4-bit full adder fully automatic CMOS design process is used. In the first fully CMOS design, schematic and layout of a 4-bit full adder are developed. The layouts are designed and simulated at 90nm, 65 nm, and 45 nm technology nodes. It has been observed from the simulated results and various outputs that the reduction of node sizes improves the performances of the digital integrated circuit. Deepthi, Kummetha, et al(2021) [12]. This paper demonstrated using Brent Kung adder (BK) which optimizes the design constraints like speed, area, and power compared to all other adders mentioned. RCA, CLA, regular linear Brent Kung carry select adder (RL BKCSA), and modified square root (MSQRT) Brent Kung CSA are designed in Xilinx. Kumari, M. Meena, Bhaskara Rao Doddi, and G. Sunil Kumar(2018)[13] This paper proposed Carry look ahead adder with low area and low power. They have designed xor and xnor cells in which it generates two outputs. Xor outputs the xor and nor logic whereas xnor outputs the xnor and nand logic. We can design adder by efficiently utilizing the hardware required for sum logic to the carry logic. But the choice of using only xor or only xnor or combination of both for designing sum logic has considerable impact on the hardware requirements of the carry logic. Total transistor count for proposed 4 bit carry look ahead adder is 164 with existing design transistor count of 236. Chu, Shunan(2022) [14] The analysis results show that the conventional 4-bit adder structure can be improved by designing the carry term Field Effect Transistor (FET) network and replacing the existing gate circuit with a hybrid Gate diffusion technology (GDI) gate, which can reduce the number of transistors and the design circuit area. They also contribute to improving the power consumption, delay, power delay product (PDP) and other performance parameters. Johari, Ayoush, Aparna Gupta, and Rita Jain(2017) [15]. This paper provided carry-look ahead adder calculated one or more carry bits before the sum, which reduces the wait time to calculate the result of the larger value bits. Carry Propagator and Carry Generator FFT results are compared in terms of their amplitude, phase and group delays

3. Proposed Mythology

The GDI contains three inputs: G (common gate input of both the nMOS and the pMOS), P (input to the source/drain of the pMOS), and N (input to the source/drain of the nMOS). It was shown that multiple Boolean functions can be implemented by a simple GDI cell, as demonstrated in Figure 1. This is achieved by a change of the input configuration of the GDI cell. While implementation of most of these functions is relatively complex (6–12 transistors) in Static CMOS, it is very efficient (only 2 transistors) with the GDI cells. The Multiplexer (MUX) is the most complex function that can be implemented with a basic GDI cell, while being the most efficient function as compared to CMOS implementation. GDI gates may suffer from threshold voltage drops which reduce current drive and therefore affect the performance of the gate. These drops also increase direct-path static power

dissipation in the cascaded inverters, used for swing restoration. It was shown that these effects can be significantly reduced by using swing restoration buffers with a multiple VTH approach, herein named MVT. This approach suggests using low threshold transistors in all paths where a voltage drop is expected. This way, the voltage drop at the output will be minimal. In addition, all regenerative inverters are implemented using high threshold transistors. This combination allows minimization of the direct path static power in the inverters. Most of today's static digital designs are based on CMOS NAND and NOR gates. The reasons for this are known and well explored. Both NAND and NOR gates are implemented using only four transistors and each one of these functions is a universal set. The GDI method, which is very efficient for implementation of various gates, such as MUX, AND, OR (see Table 1), has similar number of transistors in NAND/NOR gates implementation as standard CMOS methodology. However, the GDI technology provides alternative basic functions, F1 and F2. Consisting only of two transistors (one GDI cell), each one of these functions represents a universal set. Moreover, F1 and F2 functions can be used to synthesize other functions more efficiently than the NAND and NOR gates.

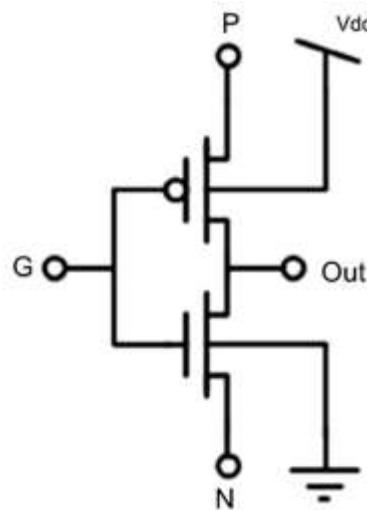


Figure 1. Basic GDI cell.

Table 1: Boolean function synthesis through input configuration of a simple GDI cell

N	P	G	Out	Function
'0'	B	A	$\bar{A}B$	F1
B	'1'	A	$\bar{A} + B$	F2
'1'	B	A	$A + B$	OR
B	'0'	A	AB	AND
C	B	A	$\bar{A}B + AC$	MUX
'0'	'1'	A	\bar{A}	NOT

3.1 GDI based CLA

The basic adder which first comes to mind is Ripple carry adder. But it has some limitation; that is the propagation delay to calculate the carry bit. It takes too much time to propagate the carry. To overcome this type of limitation, Carry look-ahead adder comes into consideration which calculates the carry bit in advance based on the input values given to the adder. To understand the working principle of Carry look-ahead adder, let us see the modified Boolean expressions for propagate P and generate G as shown in Figure 2 and Figure 3.

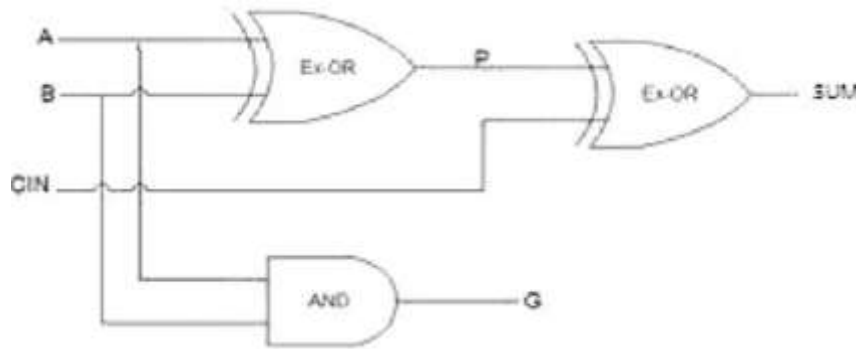


Figure 2. Gate-level representation of B-cell

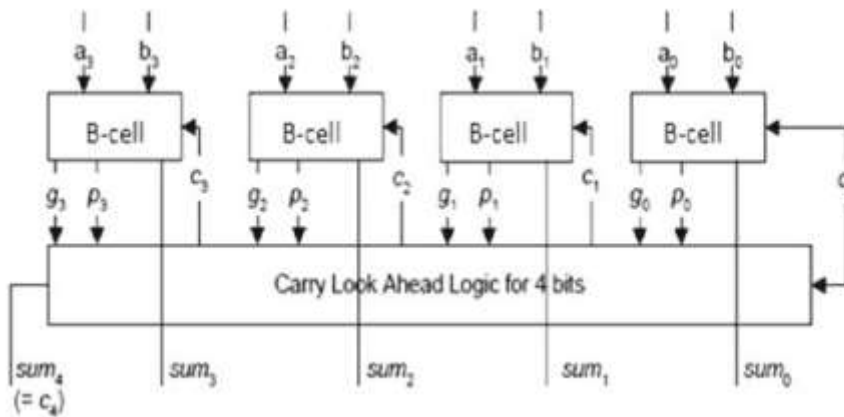


Figure 3. Block diagram of 4-bit CLA

$$P_i = a_i \oplus b_i \tag{1}$$

$$G_i = a_i \cdot b_i \tag{2}$$

For 4-bit CLA Summations are given from Eqs. 3–6 as follows:

$$\text{Sum}_0 = a_0 \oplus b_0 \oplus c_0 \tag{3}$$

$$\text{Sum}_1 = a_1 \oplus b_1 \oplus c_1 \tag{4}$$

$$\text{Sum}_2 = a_2 \oplus b_2 \oplus c_2 \tag{5}$$

$$\text{Sum}_3 = a_3 \oplus b_3 \oplus c_3 \tag{6}$$

Carry-outs are given from Eqs. 7–10 as follows

$$c_1 = g_0 + p_0 \cdot c_0 \tag{7}$$

$$c_2 = g_1 + p_1 \cdot g_0 + p_1 \cdot p_0 \cdot c_0 = g_1 + p_1 g_0 + p_0 \cdot c_0 = g_1 + p_1 \cdot c_1 \tag{8}$$

$$\begin{aligned} c_3 &= g_2 + p_2 \cdot g_1 + p_2 \cdot p_1 \cdot g_0 + p_2 \cdot p_1 \cdot p_0 \cdot c_0 \\ &= g_2 + p_2 g_1 + p_1 \cdot g_0 + p_1 \cdot p_0 \cdot c_0 = g_2 + p_2 \cdot c_2 \end{aligned} \tag{9}$$

$$c_4 = g_3 + p_3 \cdot g_2 + p_3 \cdot p_2 \cdot g_1 + p_3 \cdot p_2 \cdot p_1 \cdot g_0 + p_3 \cdot p_2 \cdot p_1 \cdot p_0 \cdot c_0 = g_3 + p_3 g_2 + p_2 \cdot g_1 + p_2 \cdot p_1 \cdot g_0 + p_2 \cdot p_1 \cdot p_0 \cdot c_0 = g_3 + p_3 \cdot c_3 \tag{10}$$

4. Results and Discussion

By using the basic gates such as Inverter, AND gate, OR gate, and EX-OR gate which have been designed earlier based on GDI, let us design the B-cell first and then by using B-cells we can easily

construct our proposed 4-bit CLA circuit as shown in Figure 4, 5, 6, and Figure 7.

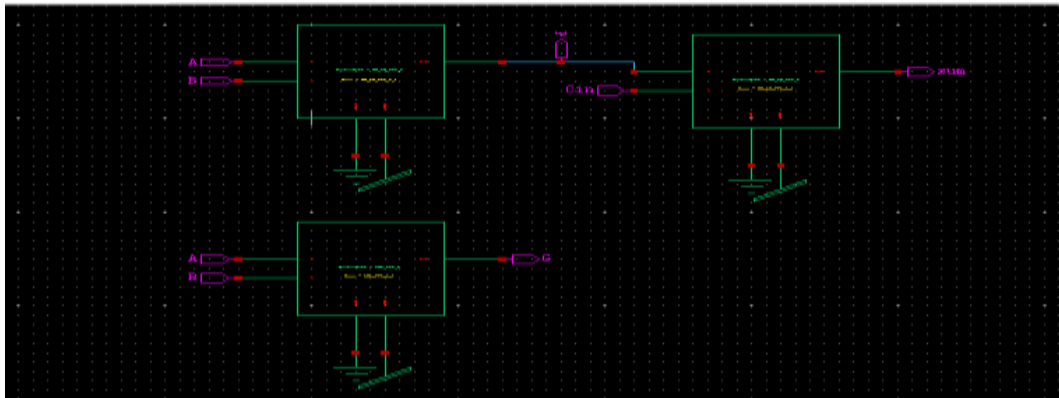


Figure 4. Schematic diagram of B-cell

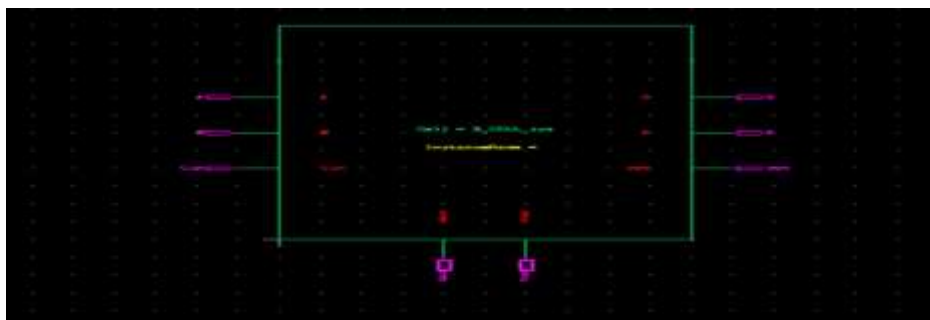


Figure 5. Symbolic representation of B-cell

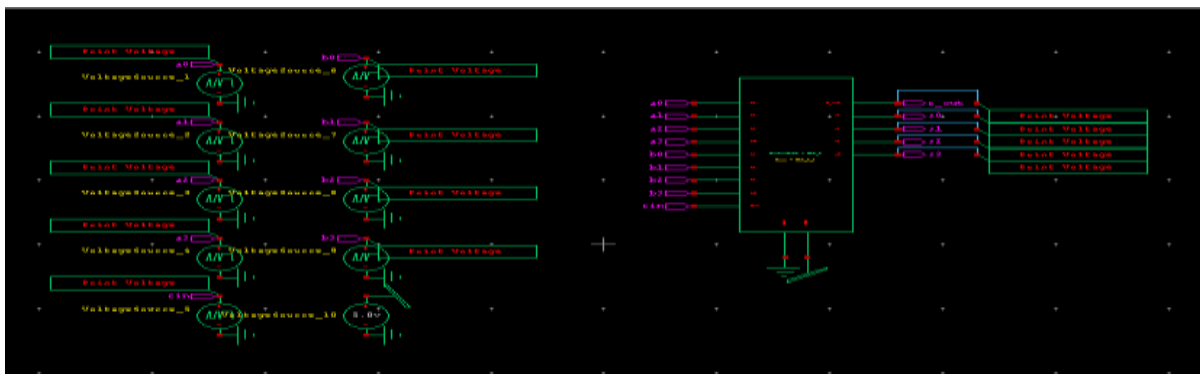


Figure 6. Symbolic representation of 4-bit CLA

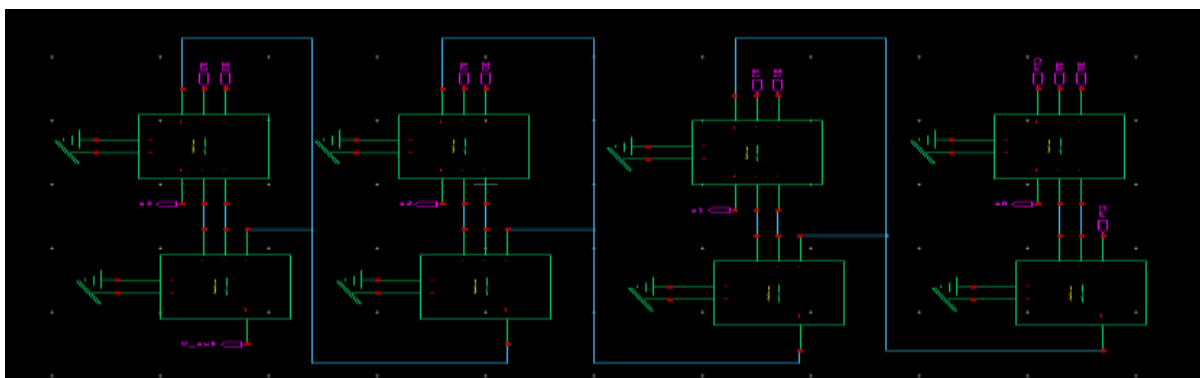


Figure 7. Schematic diagram of 4-bit CLA by using B-cells using GDI

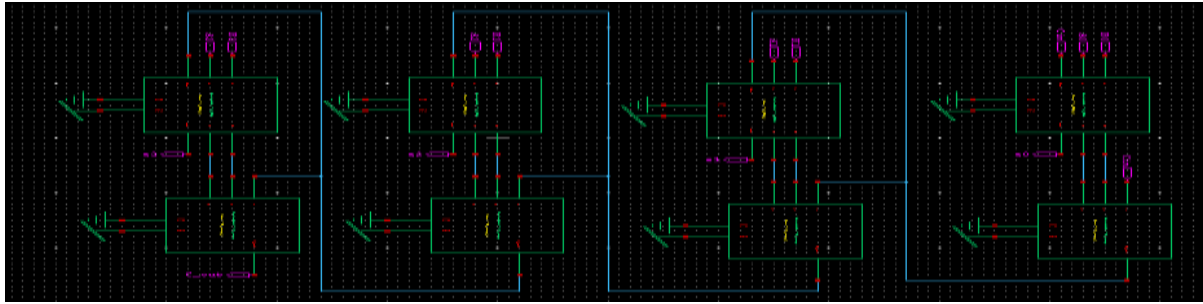


Figure 8. 4-bit CLA Adder

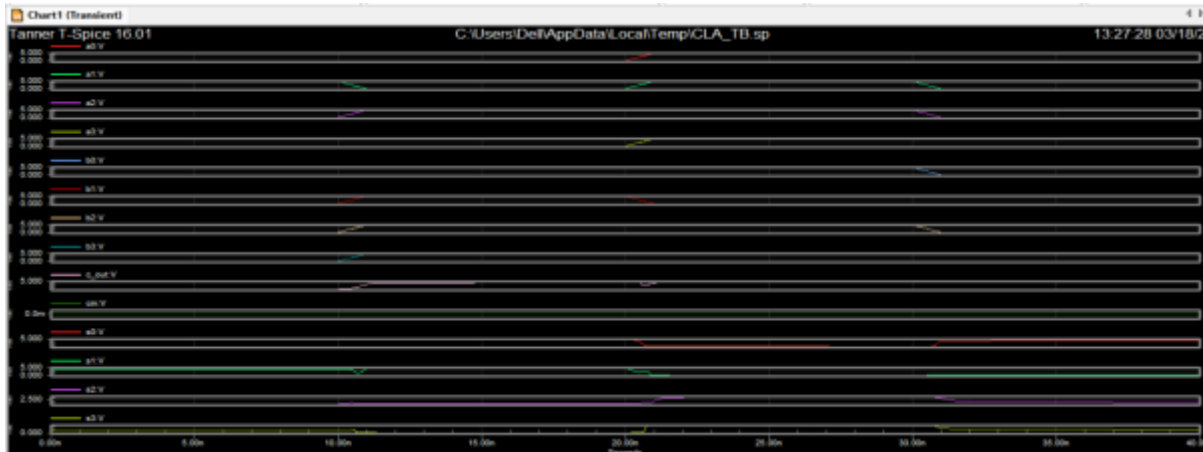


Figure 9. Output wave of 4- CLA Adder

Table 1 Comparison table

Technology	Area	Power(milli watts)
GDI	56	0.0168
PTL	80	157

5. Conclusion

From the above comparison tables, it is concluded that the GDI is the best logic among all other logic style available to design Carry look-ahead adder with a smaller number of transistor, fast performance, and more accurate with low power consumption. The delay, power, energy, PDP, and EDP also decrease as compared to other available designs.

References

- [1] Khan, Burhan, and Suraj Pattanaik. "Design a 4-bit carry look-ahead adder using pass transistor for less power consumption and maximization of speed." *Advances in Data Science and Management: Proceedings of ICDSM 2019*. Springer Singapore, 2020.
- [2] Hasan, Mehedi, et al. "A high-speed 4-bit Carry Look-Ahead architecture as a building block for wide word-length Carry-Select Adder." *Microelectronics Journal* 109 (2021).
- [3] Dipto, Md Ashik Zafar, et al. "Performance Improvement in Conventional 4-bit Static CMOS Carry Look-Ahead Adder by Modifying Carry-Generate and Propagate Terms." *2020 11th International Conference on Computing, Communication and Networking Technologies (ICCCNT)*. IEEE, 2020.
- [4] Penchalaiah, Usthumuri, and VG Siva Kumar. "Design and Implementation of Low Power

- and Area Efficient Architecture for High Performance ALU." *Parallel Processing Letters* 32.01n02 (2022): 2150017.
- [5] S. V. G. Kumar, M. Vadivel, U. Penchalaiah, P. Ganesan and T. Somassoundaram, "Real Time Embedded System for Automobile Automation," 2019 IEEE International Conference on System, Computation, Automation and Networking (ICSCAN), Pondicherry, India, 2019, pp. 1-6, doi: 10.1109/ICSCAN.2019.8878820.
- [6] Bhatt, Uttara, et al. "Comparative Study of Implementation of 8-bit Carry Select Adder using different Technologies." (2019).
- [7] Putra, Adiwena, and Trio Adiono. "Full Custom Layout of Neural Network Processing Element Using Push Pull D Flip Flop and Modified Carry Look Ahead Adder." 2021.
- [8] Jhamb, Mansi. "Low Power and Highly Reliable 8-Bit Carry Select Adder." *Innovations in Electrical and Electronic Engineering: Proceedings of ICEEE 2020*. Springer Singapore, 2021.
- [9] Ahmed, Rekib Uddin, and Prabir Saha. "Implementation Aspects of Multi-bit Adders Using UTBSOI Transistors." *Smart Trends in Computing and Communications: Proceedings of SmartCom 2020*. Springer Singapore, 2021.
- [10] Chauhan, Anurag, et al. "Implementation of high performance 4-Bit ALU using dual mode pass transistor logic." 2021 International Conference on Intelligent Technologies (CONIT). IEEE, 2021.
- [11] Bhuyan, Muhibul Haque, Md Mahfuz Ahmed, and Shafiul Alam Robin. "Design, Simulation and Comparative Analysis of Performance Parameters of a 4-bit CMOS based Full Adder Circuit using Microwind and DSch at Various Technology Nodes." *IOSR Journal of VLSI and Signal processing* (2021).
- [12] Deepthi, Kummetha, et al. "Design and Implementation of High-Speed Low-Power Carry Select Adder." *Cognitive Informatics and Soft Computing: Proceeding of CISC 2020*. Springer Singapore, 2021.
- [13] Kumari, M. Meena, Bhaskara Rao Doddi, and G. Sunil Kumar. "Design of 4-bit Carry look Ahead Adder with Logic Gates and Cells." *International Journal of Advanced Research in Computer Engineering & Technology (IJARCET)* 7.1 (2018).
- [14] Chu, Shunan. "Comparative Analysis of Optimization Schemes of Carry Look-ahead Adder." *Journal of Physics: Conference Series*. Vol. 2290. No. 1. IOP Publishing, 2022.
- [15] Johari, Ayoush, Aparna Gupta, and Rita Jain. "physical design, implementation and fft analysis of 16 bits carry look ahead adder circuits using c5 process for deep submicron cmos." Johari, Ayoush, Aparna Gupta, and Rita Jain(2017).